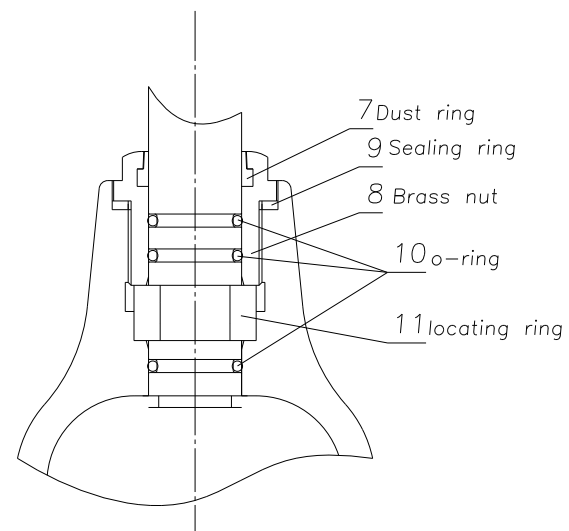


DN	L	D		K		G		A	B	C	n-ød		H
		PN10	PN16	PN10	PN16	PN10	PN16				PN10	PN16	
50	178	165	165	125	125	102	102	3	18	180	4-ø19	4-ø19	250
65	190	185	185	145	145	122	122	3	18	180	4-ø19	4-ø19	280
80	203	200	200	160	160	138	138	3	19	200	4-ø19	8-ø19	330
100	229	220	220	180	180	158	158	3	20	200	8-ø19	8-ø19	361
125	254	250	250	210	210	188	188	3	22	250	8-ø19	8-ø19	415
150	267	285	285	240	240	212	212	3	22	250	8-ø23	8-ø23	460
200	292	340	340	295	295	268	268	3	24	280	8-ø23	12-ø23	572
250	330	395	405	350	355	320	320	3	26	320	12-ø23	12-ø27	658
300	356	445	460	400	410	370	378	4	26	350	12-ø23	12-ø27	758
350	381	505	520	460	470	429	438	4	28	450	16-ø23	16-ø27	800
400	406	565	580	515	525	480	490	4	28	550	16-ø27	16-ø30	900
500	457	670	715	620	650	582	610	4	30	650	20-ø27	20-ø30	1100
600	508	780	840	725	770	690	730	4	30	650	20-ø30	20-ø36	1240



11	Locking ring	Brass
10	o-ring	NBR/EPDM
9	Sealing ring	PTFE
8	Brass nut	Brass
7	Dust ring	NBR/EPDM
6	Handwheel	GGG50
5	Bonnet	GGG50
4	Stem	stainless steel
3	Stem nut	Brass GGG50 With
2	Disc	NBR/EPDM
1	Body	GGG50
NO.	Name	Material

**Features**

1. Face to face: BS5163 1986
2. Flange Drilled: BS4504-2000
3. Working Pressure: PN10-PN16

Resilient soft  
seated gate valve  
**BS5163**