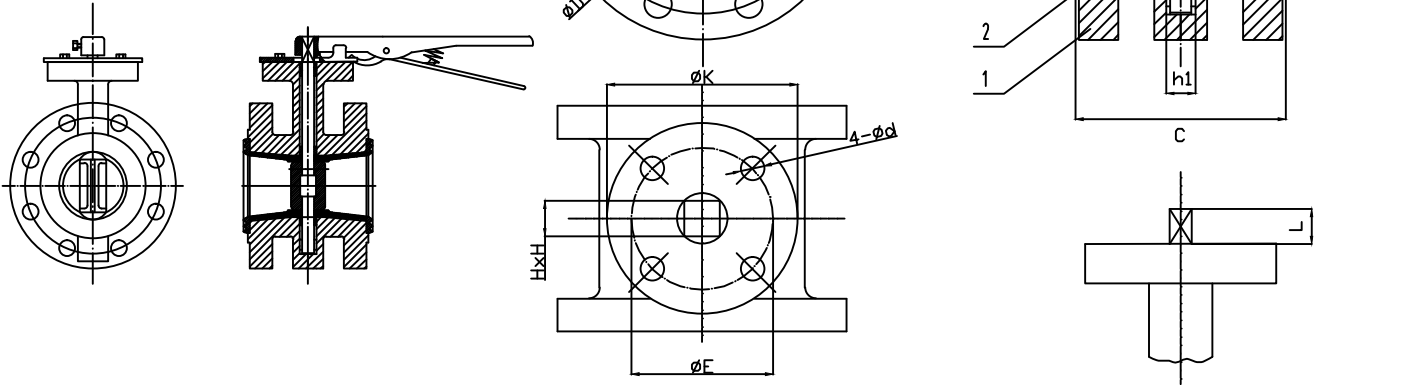


The list about dimension for Middle line flange butterfly valve	
Technical specification	
Design Standard	GB12238-89, API609
Face to Face	GB12221, API609 MSS-67-1995, ANSI B16.1 ANSI 125/150
Flange Standard	DIN2501 PN10/PN16
Connection Manner	Wafer Connection
Inspection and Test	GB13927, API598
Nominal Pressure	1.0Mpa, 1.6Mpa, 150Lb
Model of Driving	Hand, electrically-driven, air-operated and so on model of operation



Dimension of Body Construction

SIZE	Ø1	Ø2	C	ØK	ØE	4-Ød	HXH	L.O	G.O	Weight(Kg)
2"	DN50	51	87	108	90	70	4-10	11 X 11		
2.5"	DN65	62.8	106	112	90	70	4-10	11 X 11		
3"	DN80	77.3	120	114	90	70	4-10	11 X 11		
4"	DN100	116	144	127	90	70	4-10	11 X 11		
5"	DN125	133	170	140	90	70	4-10	14 X 14		
6"	DN150	165	197	140	90	70	4-10	14 X 14		
8"	DN200	212	252	152	125	102	4-12	17 X 17		
10"	DN250	253	305	165	125	102	4-12	22 X 22		
12"	DN300	307	352	178	140	102	4-12	22 X 22		
14"	DN350	344	415	190	140	102	4-12	22 X 22		
16"	DN400	392	464	216	197	140	4-18	27 X 27		
18"	DN450	452	510	222	197	140	4-18	27 X 27		
20"	DN500	495	563	229	197	140	4-18	36 X 36		
24"	DN600	597	661	267	276	165	4-22	36 X 36		

Item	Parts Name	Material	Standard
1	Body	GG25	A126B
		GGG40	A536
2	Disc	GGG40	A536
		CF8	A351
		CF8M	A351
3	Stem	SS416	A276
		SS431	A276
		SS304	A276
		SS304	A276
4	Seat	EPDM	ASTM D20004
		NBR	BK520
		VITON	B14E014
		VITON	E034
5	Bushing	PTFE	ASTMB438
		C954	B148
6	O-Ring	EPDM	ASTM D20004
		NBR	D20004
		VITON	
7	Gear Box	Assembling	A536 (Gear)

Dimension of Connection

SIZE	Ø3	h1	ØD	n-d	L	Ø3	h1	ØD	n-d	L	Ø3	h1	ØD	n-d	L	
2"	DN50	102	17.45	125	4-19	30	102	17.45	125	4-19	30	102	17.45	120.6	4-19	30
2.5"	DN65	122	17.45	145	4-19	30	122	17.45	145	4-19	30	122	17.45	139.7	4-19	30
3"	DN80	138	17.45	160	8-19	30	138	17.45	160	8-19	30	138	17.45	152.4	4-19	30
4"	DN100	158	20.62	180	8-19	30	158	20.62	180	8-19	30	158	20.62	190.5	8-19	30
5"	DN125	188	23.8	210	8-19	30	188	23.8	210	8-19	30	188	23.8	215.9	8-22.4	30
6"	DN150	212	23.8	240	8-23	30	212	23.8	240	8-23	30	212	23.8	241.3	8-22.4	30
8"	DN200	268	28.58	295	8-23	40	268	28.58	295	12-23	40	268	28.58	298.4	8-22.4	40
10"	DN250	320	34.93	350	12-23	40	320	34.93	355	12-28	40	320	34.93	361.9	12-25.4	40
12"	DN300	370	38.10	400	12-23	40	378	38.10	410	12-28	40	370	38.10	431.8	12-25.4	40
14"	DN350	430	38.10	460	16-23	45	438	38.10	470	16-28	45	430	38.10	476.2	12-28.4	45
16"	DN400	482	39.7	515	16-28	52	490	44.45	525	16-31	52	480	44.45	539.7	16-28.4	70
18"	DN450	532	44.45	565	20-28	52	550	49.35	585	20-31	52	530	49.35	577.8	16-31.8	70
20"	DN500	585	47.65	620	20-28	65	610	52.1	650	20-34	65	582	52.1	635	20-31.8	80
24"	DN600	685	57.15	725	20-31	70	725	60.51	770	20-37	70	682	60.51	749.3	20-35.1	80